



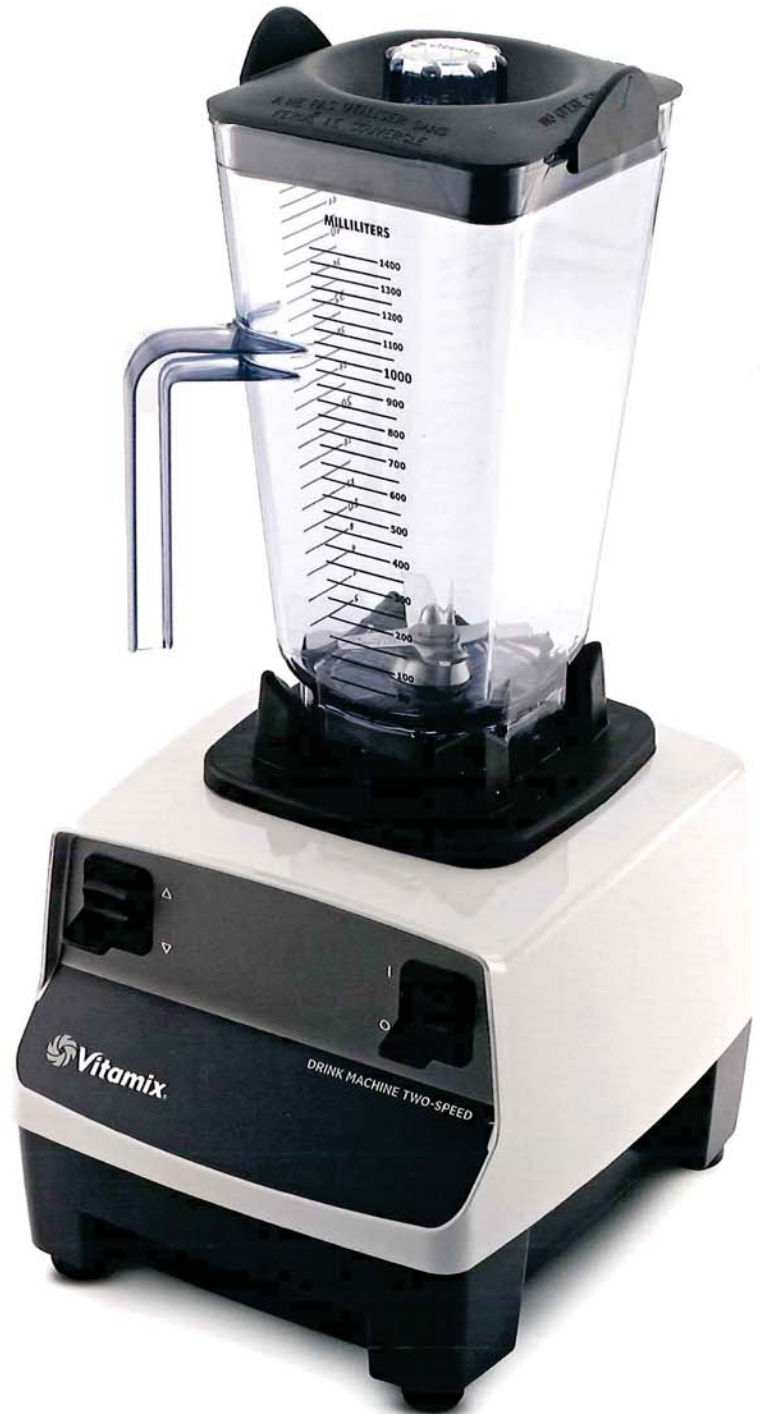
DRINK MACHINE TWO-SPEED

Durable and Efficient Blending

The Drink Machine Two-Speed is the reliable blender when powerful, functional, blending is needed. With manually-controlled two-speed capability, the Drink Machine Two-Speed will flawlessly create delicious frozen coffee drinks, fruit smoothies, granitas, shakes and more.

Smart Product Design

- Blades create enough torque to crush 1,4 L of cubed ice in seconds
- Powerful, thermally-protected motor handles dense ingredients without overheating
- Clear, durable 1,4 L container pulls ingredients into the blades for efficiency and better speed of service



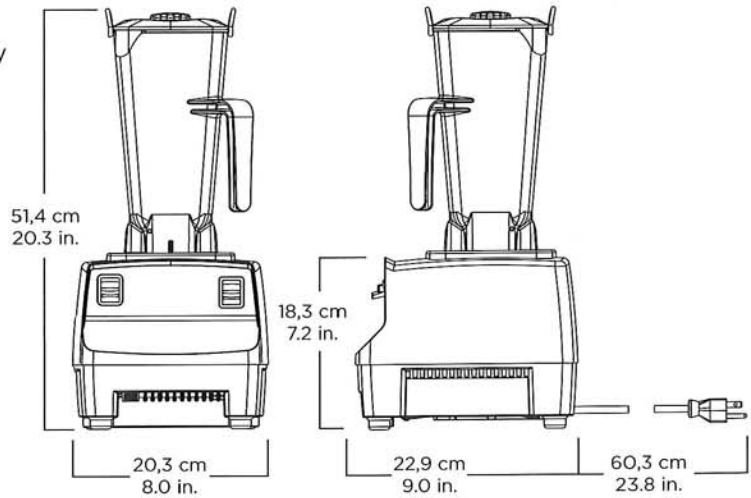
Creamy fruit smoothies

Product Specifications

Drink Machine Two-Speed Item No. 10011

Motor: ≈2 peak output horsepower motor
 Electrical: 220 - 240 V, 50/60 Hz, 1000 - 1200 W
 Pack: Includes Drink Machine Two-Speed with 1,4 L high-impact, clear/stackable container, complete with blade assembly and lid, and grey base.
 Net Weight: 5,5 kg (6,3 kg with box)
 Dimensions: 51,4 x 20,3 x 22,9 cm (H x W x D)

Warranty: Please contact your authorized Vitamix distributor for warranty information.



Also Available

Drink Machine Two-Speed with container
 Item No. 768: 220 - 240 V, 50/60 Hz, 1000 - 1200 W with 2,0 L high-impact, clear container
 Item No. 10150: 120 V (EMC), 50/60 Hz, 11,5 A
 Item No. 10095: 100 V, 50/60 Hz, 900 W

Additional containers, complete with blade assembly and lid.
 Item No. 756: container 2,0 L
 Item No. 15506: standard container 1,4 L
 Item No. 15640: compact container 0,9 L

For more information, please contact an authorized Vitamix distributor, or Vitamix international customer service.

Where applicable:



Aishwarya Consolidates Pvt. Ltd.,
 #19, Frist Floor, 10th 'B' Main, 27th Cross,
 Third Block Jayanagar, BANGALORE – 560 011, INDIA
 Tel: +91-80-2664 1200/1/2 Fax: +91-80-2664 1204
 E-mail : aishtek@vsnl.com www.aishwaryaconsolidates.com